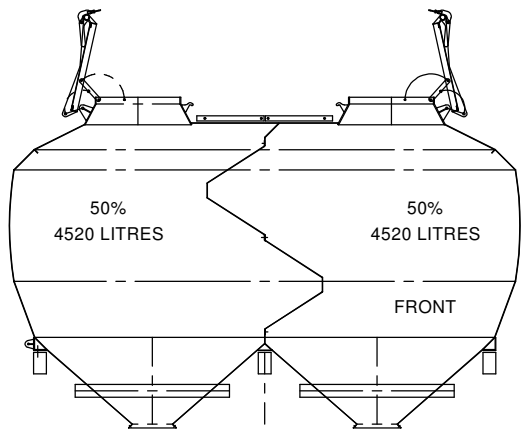
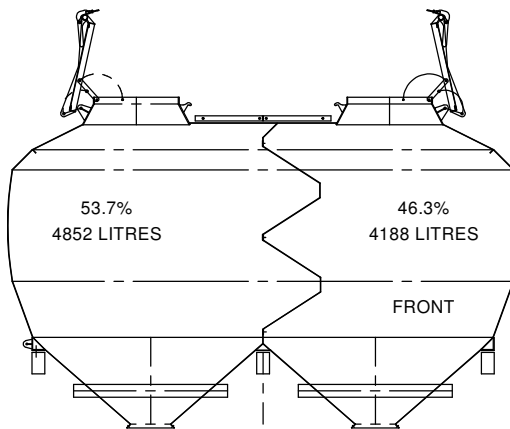


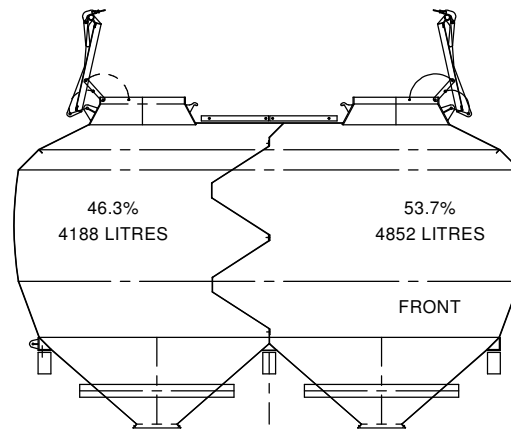
DO NOT SCALE - IF IN DOUBT ASK



Split 1



Split 2



Split 3

## 9000 Double Bin

Total Usable Volume Given  
a 25 Degree Angle of Repose is:  
**9040 Litres**

**Fabrication Note**

Finish:

**General Tolerances**

Linear Dimensions

X ±1mm (whole numbers)  
X.X ±0.5mm (one decimal place)  
X.XX ±0.25mm (two decimal places)

Angular Dimensions

All Angles ±2°

This drawing is the property of  
Simplicity (Australia) Pty. Ltd.  
It must not be used for any  
purpose other than that for  
which it is supplied.  
Reproduction in whole or  
part is prohibited without  
written authority from  
Simplicity (Australia) Pty. Ltd.

DRN: \_\_\_\_\_  
DATE: \_\_\_\_\_  
APPRD: \_\_\_\_\_  
DATE: / /  
SCALE: 1:42.2



**SIMPLICITY (AUSTRALIA) PTY LTD**  
18 LOUDOUN RD DALBY 4405 PH (07) 4662 2977 FAX (07) 4660 6050

TITLE

DRAWING NUMBER

**9000 Double Bin Splits**

REV

SHEET

1 OF 1

**A4**